

DATE OF ISSUE : 2008.04.26

SPECIFICATION

MODEL: LMO-S01

CUSTOMER :-----

DRAWNED BY	CHECKED BY	APPROVED BY

SHENZHEN XINYIHAI CO., LTD.

Add:# Room 916, 10/F, Block North, International Business Building, Jiabing Road ShenZhen
China

[Http://www.ledmodulechina.com](http://www.ledmodulechina.com)

Email: sales@ledmodulechina.com

Tel: 0086-13266748568

Contents

1. Product introduce-----	1
2. Outline Drawing And Dimension -----	2
3. Characteristics -----	3
4. Material part list -----	4
5. Package Structure -----	5

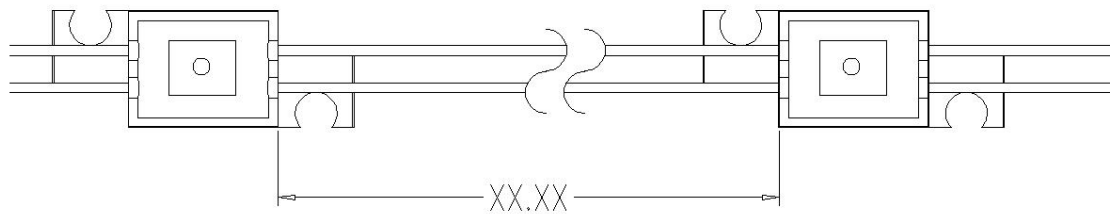
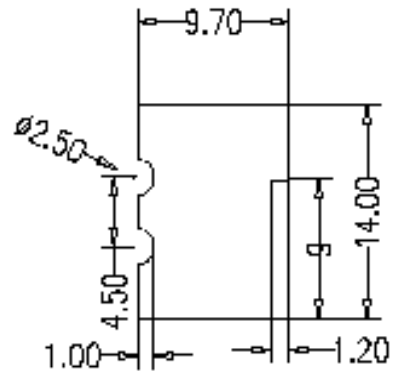
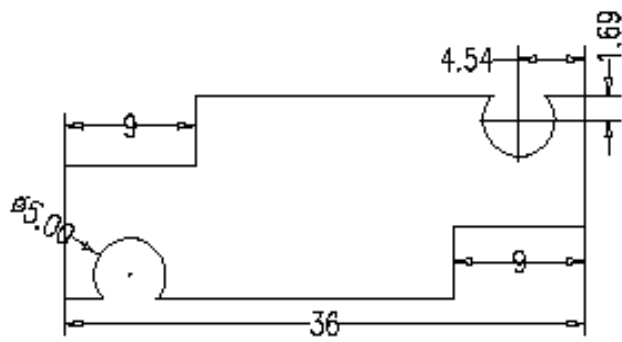
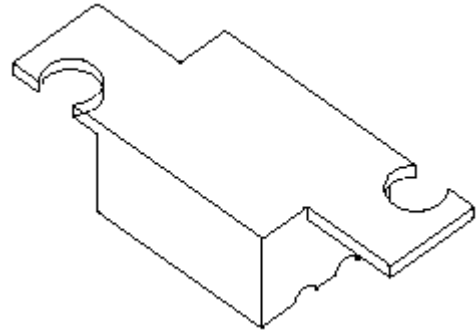
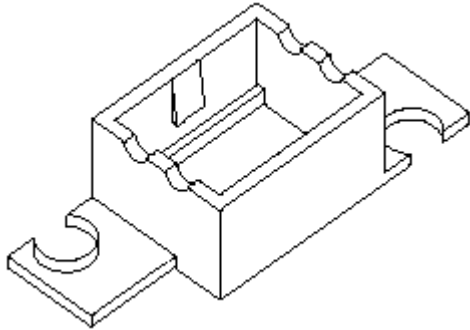
■ Introduce

It is selecting the high quality piranha-shape [LED module](#) chip as the luminophor. There is tin-plating copper wire connection between modules to effectively prevent the oxidation. The segment-welding type design avoids the phenomenon shut by ill plug-in unit connect. The lamp number and the arrangement way contain the short 3-lamp, the long 3- lamps and the long 5-lamp to fulfill the various brightness requests.

There are different light colors served. The waterproof module adopting the high quality epoxy resin to pour into the seal. It is the entire waterproof design which achieved protection rank IP67.

It can be utilized together with the waterproof power supply. It is widely utilized to three-dimensionally flashing character, advertisement broad, marks and advertisement lamp box as the lighting source. It can be also used as the light source for decoration projects or stage lighting. LED module has high brightness, low power-loss, wide lighting angle, excellent quality and stable performance.

■ Outline Drawing and Dimension



■ MODULE Material part list

	Part Name	Specification	Remark
1	LED	SBZ-ZSBQCB0-E1	SBO: Color: R/G/B/W
2	Module Casing	18mm X 14mm X 9.7mm	ABS white
3	Wire	20 AWG GB	Length: Optional
4	Adhesive Tape	11mm X 15mm	3M, T=0.6mm
5	Waterproof	Epoxy Rosin	IP-65

■ Specification of datasheet

	Unit	LMO-S01-W	LMO-S01-G	LMO-S01-B	Remark
LED Color		White	Green	Blue	
LED Qty	pcs	1	1	1	
LED View Angle	degree	90-120	80-120	80-120	
Forward Current	mA	20	20	20	Work Current
Work Voltage	V	12	12	12	DC
Power	W	0.24	0.24	0.24	
Luminous Flux	mlm	1700	1000	300	I=20mA
Dominant Wavelength	nm		520-530	460-470	I=20mA
Module Qty of a Batch	pcs	100	100	100	Optional

■ Product & Reel Structure



■ Outer Box Structure

L * W* H= 55.50*37.70*31.60cm

